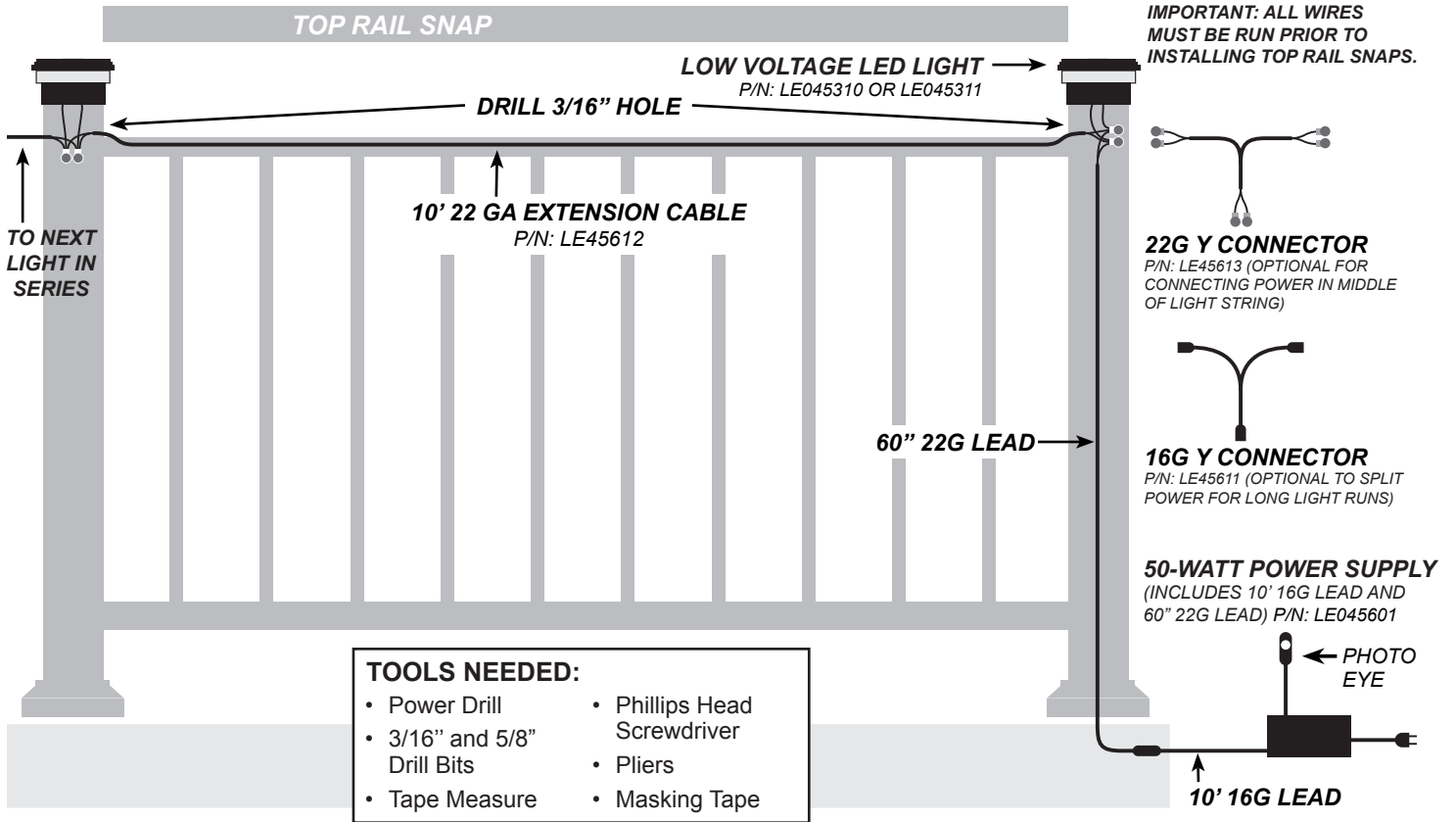


POST CAP LIGHT INSTRUCTIONS

For Picket and Glass Strip Railing Systems. Use Separate Instructions for Full Glass Panel Systems.



CAUTION! WIRING MUST BE INSTALLED PRIOR TO SECURING POSTS TO DECK SURFACE AND INSTALLING TOP RAIL SNAPS.

BEFORE YOU START

- READ AND UNDERSTAND THE INSTRUCTIONS COMPLETELY.
- BE SURE ELECTRICAL CURRENT IS TURNED OFF.
- IF YOU HAVE ANY DOUBTS ABOUT HOW TO INSTALL FIXTURE, PLEASE CONTACT AN ELECTRICAL CONTRACTOR.

INSTRUCTIONS

1. Identify the post which the 60" 22-gauge lead wire (provided with power supply) will feed down the post and through the deck surface. If there is a break in the railing, more than 1-lead wire may be required, this will require purchasing a 10' 22-gauge extension cable p/n LE45612. Additionally, a 16-gauge Y-connector p/n LE45611 will be required.
2. Drill a 5/8" hole through the deck surface centered and below the post or posts. **See fig. 1.**
3. Prior to anchoring post to deck surface, feed 60" 22-gauge lead wire (plug end first) inside post sleeve and base plate then through pre-drilled 5/8" hole in deck surface. Secure wire end to the top of the post with tape so that wire does not fall into post sleeve. Secure post to deck surface and continue railing installation.
4. Once railing is secured to posts and before top rail snaps are installed on railing, drill a 3/16" hole, directly above the rail panel attachment clip. **See fig. 2.** (continued)

FIG. 1

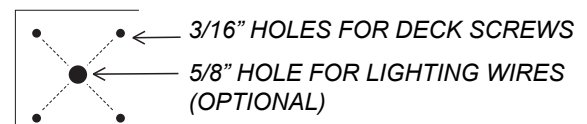
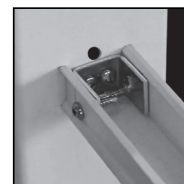


FIG. 2



IMPORTANT: FOR PROPER FEEDING OF WIRES UNDER TOP RAIL SNAP, HOLE MUST BE RIGHT AT THE TOP CENTER OF UPPER RAIL CIP.

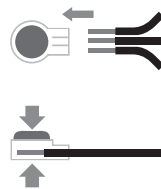
A 6" BIT IS RECOMMENDED TO REDUCE THE DRILLING ANGLE.

- When connecting more than 1-light, run a 22-gauge wire from post to post. Feed the ends of the wire through the pre-drilled 3/16" hole. Lay wire inside upper rail channel so not to interfere top rail snap installation.
- Connect the 60" lead to the first post cap light and if installing more than 1-light, connect extension wire to lead wire. See **fig. 3 and fig. 4**.
- Continue wiring all post caps.
- Install power supply as per the instructions supplied with unit.
- Plug Lead wire into power supply.
- Turn the system on by removing the photo eye (unplug the photo eye micro-connector from the power supply).
- If all lights are working and wires are properly secured, install top rail snaps.

NOTE: To ensure a water tight seal, push connectors firmly together.

- Reconnect the photo eye when installation is complete.

FIG. 3



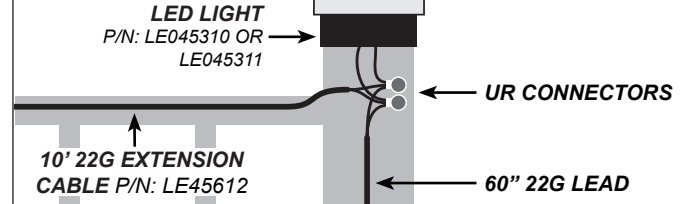
UR CONNECTORS

STEP 1 – Insert up to three wires fully into connector.

STEP 2 – Using pliers, crimp red top until flush.

This low voltage system allows for connecting wires to light or extension cable in either order. There are no positive or negative wires.

FIG. 4



3" LED POST CAP PERIMETER LIGHT – ASSEMBLY P/N: LE045310

TOOLS NEEDED: Phillips Head Screwdriver

- INSTALL **GASKET** INTO **LIGHT HOUSING**. SEE FIG. 1.
- ATTACH **LIGHT HOUSING** ONTO **POST** AND SECURE USING **2X #14 X 1" LONG FLAT HEAD SCREWS**. SEE FIG. 1.
- PLACE **PERIMETER LIGHT** ONTO **LIGHT HOUSING** ENSURING **PERIMETER LIGHT WIRE** FEEDS DOWN THROUGH **POST**. SEE FIG. 2.
- PLACE **CAP** ONTO **PERIMETER LIGHT** AND SECURE USING **4X 6-32 X 1" LONG PHILLIPS SCREWS**. SEE FIG. 2.



FIG. 1

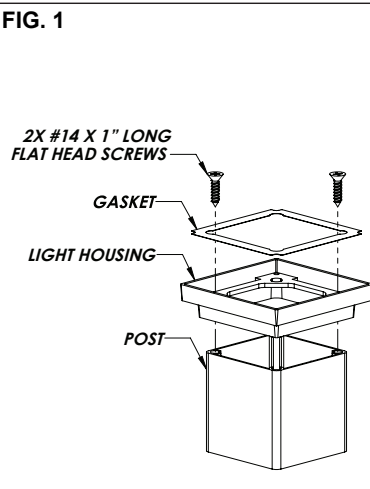
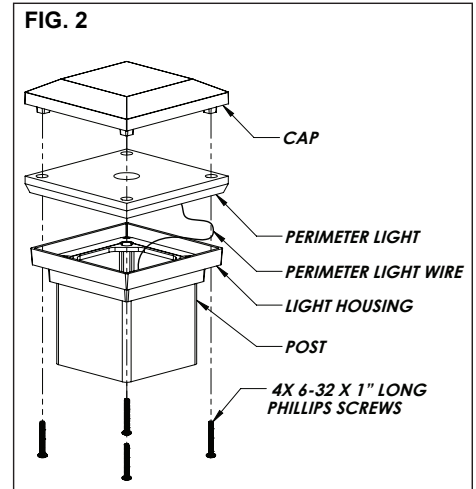


FIG. 2



3" LED POST CAP INDIRECT LIGHT – ASSEMBLY P/N: LE045311

TOOLS NEEDED: Phillips Head Screwdriver

- INSTALL **GASKET** INTO **LIGHT HOUSING**, THEN INSTALL **INDIRECT LIGHT** (LEDS DOWN). SEE FIG. 1. ENSURE **INDIRECT LIGHT WIRE** FEEDS DOWN THROUGH **POST**.
- ATTACH **LIGHT HOUSING** ONTO **POST** AND SECURE USING **2X #14 X 1" LONG FLAT HEAD SCREWS** (SEE FIG. 1). **DO NOT OVER TIGHTEN AS THIS CAN DAMAGE LIGHT.**
- PLACE **CAP** ONTO **LIGHT HOUSING** AND SECURE USING **4X 6-32 X 1" LONG PHILLIPS SCREWS**. SEE FIG. 2.



FIG. 1

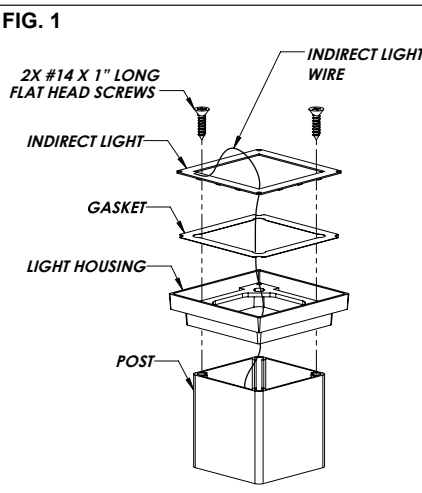
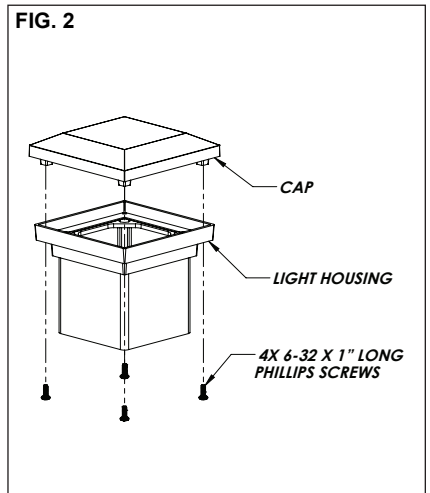


FIG. 2



FOR USE WITH LANDSCAPE LIGHTING SYSTEM ONLY. THIS DEVICE IS ACCEPTED AS A LANDSCAPE LIGHTING SYSTEM WHERE THE SUITABILITY OF THE COMBINATION SHALL BE DETERMINED BY CSA OR LOCAL INSPECTION AUTHORITIES HAVING JURISDICTION. LANDSCAPE LIGHTING SYSTEMS ARE FOR OUTDOOR USE ONLY. POWER SUPPLIES ARE FOR OUTDOOR USE ONLY. NOT FOR USE IN DWELLING UNITS. DO NOT MOUNT POWER SUPPLY OR LUMINAIRES WITHIN 10 FT OF A SWIMMING POOL OR SPA. THE SUPPLY CIRCUIT FOR THE LANDSCAPE LIGHTING SYSTEM SHALL BE PROTECTED BY A CLASS A TYPE GROUND FAULT CIRCUIT INTERRUPTER. NOT FOR USE WITH SUBMERSIBLE FIXTURES. USE ONLY WITH EASY PLUG CONNECTOR CABLES AND POWER SUPPLIES. FOR ADDITIONAL CABLES PLEASE CALL THE NUMBER BELOW. ONLY USE THE EXTENSION CORD SUPPLIED WITH THE PROVIDED POWER SUPPLY. DO NOT USE AN EXTENSION CORD. 5MM ILUMA PULLS 1.6 WATTS PER FOOT. USE ONLY 90% OF THE POWER SUPPLIES WATTAGE, ALLOWING 10% FREE. LOW VOLTAGE CABLE SHALL BE PROTECTED BY ROUTING IN CLOSE PROXIMITY TO THE LUMINAIRE OR FITTING, OR NEXT TO A BUILDING STRUCTURE SUCH AS A HOUSE OR DECK; NOT BE BURIED EXCEPT FOR A MAXIMUM 6" (15.2CM) IN ORDER TO CONNECT TO THE MAIN LOW VOLTAGE CABLE; AND HAVE THE LENGTH CUT OFF SO THAT IT IS CONNECTED TO A CONNECTOR WITH 6" (15.2CM) FROM A BUILDING STRUCTURE, A LUMINAIRE, OR FITTING.